



Acrylic Shields™

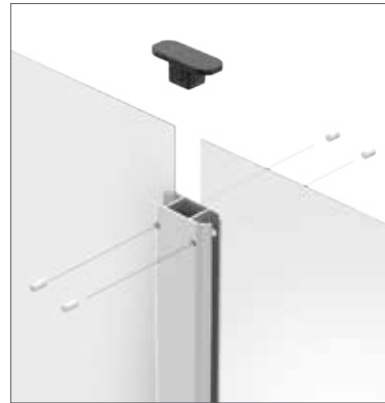
Example design gallery

Custom is our specialty – Reach out today!



NEW

Acrylic Shields



Make Single or multiple sections

Model	Description
CBSHR-SS	36" h Pair of end uprights
CBSHR-DS	36" h Center upright sold individually

Flexile System | Standard – Available for purchase Qty 1

- Aluminum uprights 36" h with steel bases
- Non-marring base options
- No restrictions on panel width
- Construct in one or multiple sections
- Use any thickness of plastic from .060" to .187"
- Panels are held in place with plastic set screws and require no drilling of panels.
- Attach to counters with many different base options, round, square, rectangular, or use "C" clamps mounted to the edge of your counter.
- Choose the base option that works best for your application.



Clear Panels can be positioned with space at bottom or run continuous from top to bottom

Choose the base option that works best for your application



Racetrack Base (-RT) with non-skid



Round Base (-RD) with VHB tape



Square Drill Down Base (-DD)



Clamp On Base (-CL)

NOTE: Does not include the acrylic shield, works with clear plastic .060" up to 3/16" thick

NEW

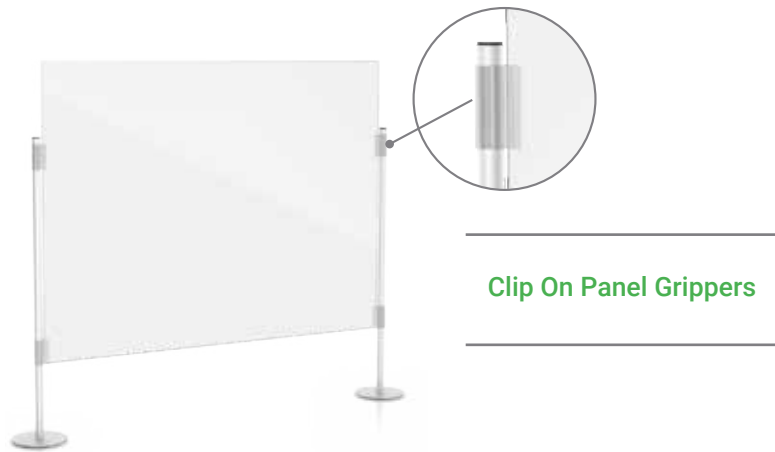
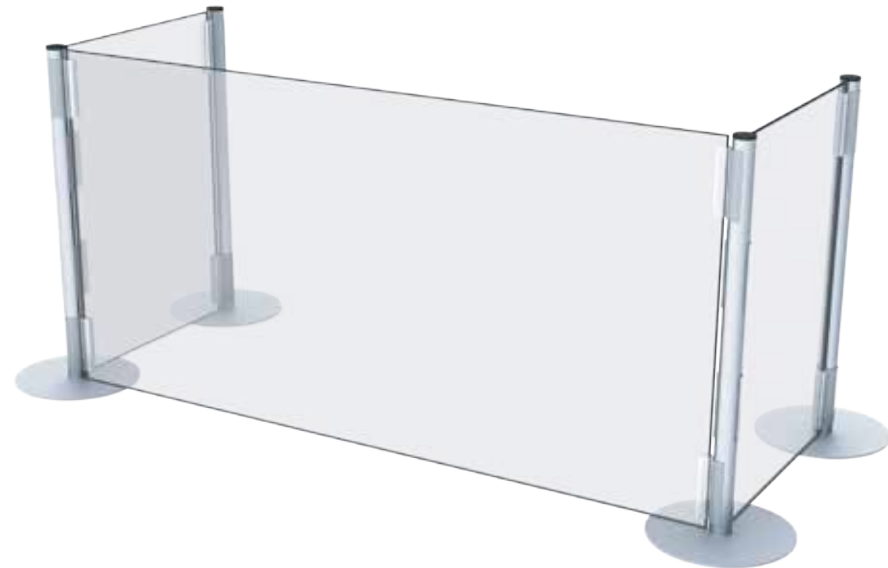
Cashier Shields



Portable Clip On System | PVT Standard – Available for purchase Qty 1

Each Kit Includes:

- Round Uprights with Clip On Panel Grippers
- Available as a set of 4 or 5 uprights, 24”h or 36”h
- Reach out for custom lengths or quantities.



Model	Description
PVT1	Tabletop Exhibit, 4 Uprights 24”, Holds 3 Panels, 12 Clips
PVT2	Tabletop Exhibit, 5 Uprights 24”, Holds 4 Panels, 16 Clips
PVT3	Tabletop Exhibit, 4 Uprights 36”, Holds 3 Panels, 12 Clips
PVT4	Tabletop Exhibit, 5 Uprights 36”, Holds 4 Panels, 16 Clips

NOTE: Does not include the acrylic shield, works with clear plastic .060” up to 3/16” thick, or 1/4” if plastic is down to the counter

NEW

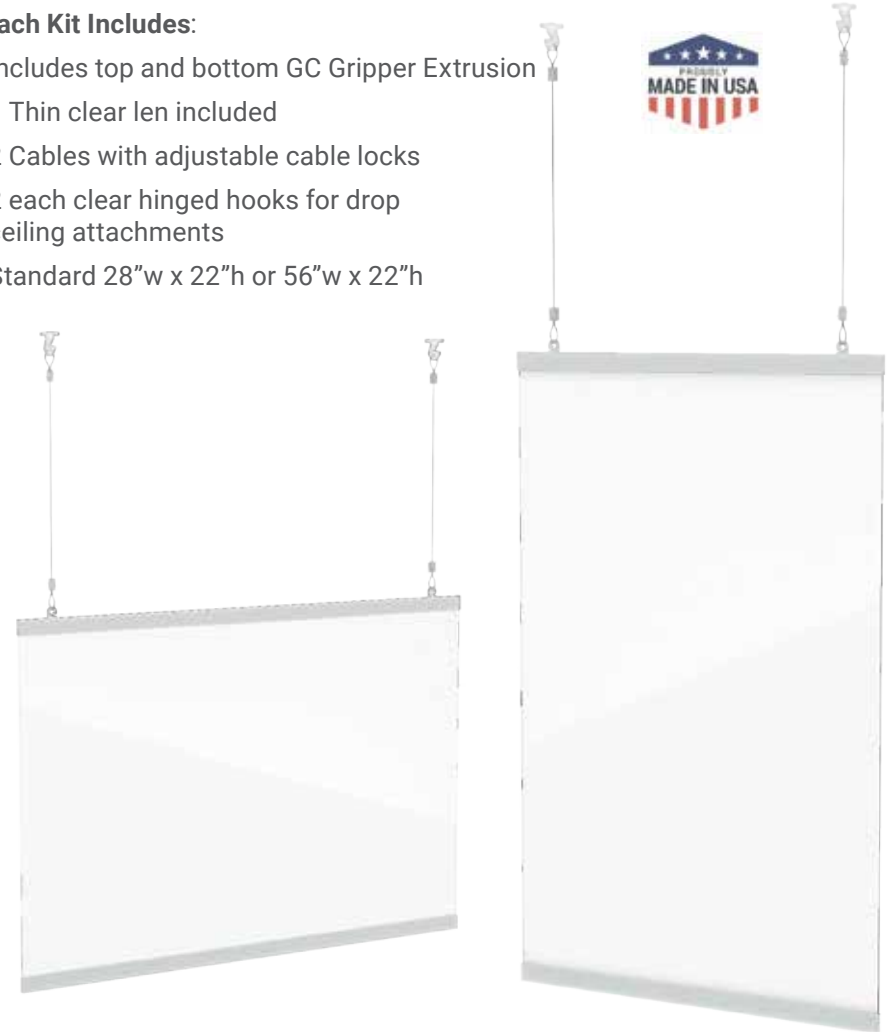
Acrylic Shields



Hanging Cashier Shield Kit | Standard – Available for purchase Qty 1

•Each Kit Includes:

- Includes top and bottom GC Gripper Extrusion
- 1 Thin clear len included
- 2 Cables with adjustable cable locks
- 2 each clear hinged hooks for drop ceiling attachments
- Standard 28" w x 22" h or 56" w x 22" h



Model	Size	Description
GCHS-2822	28" w x 22" h	2 ANC05, 2 ADC1312, 1 Lens
GCHS-5622	56" w x 22" h	2 ANC05, 2 ADC1312, 1 Lens

NEW

Acrylic Shields



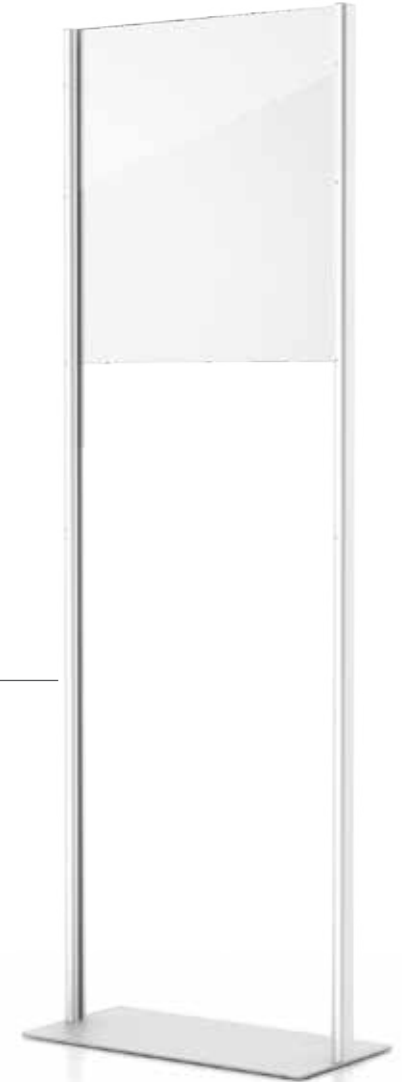
Free Standing Shield | Standard – Available for purchase Qty 1

- 1/2" ID channel aluminum uprights
- Skyscraper Mighty Mount System
- One piece steel base
- Use .060 up to 1/2" Plastic
- Steel set screws lock panels in place (plastic set screws available if needed)
- Plastic can start above the floor, fixed width
- Custom Sizes and Shapes Available
- No holes in clear plastic required
- Can later hold graphics if shield becomes unnecessary

NOTE: Does not include the acrylic shield, works with clear plastic .060" up to 1/2" thick

Model	Graphic Width	Upright Height	Weight
SKMM146	14"	72"	16 lbs.
SKMM147	14"	84"	17 lbs.
SKMM148	14"	96"	18 lbs.
SKMM246	24"	72"	20 lbs.
SKMM247	24"	84"	21 lbs.
SKMM248	24"	96"	22 lbs.
SKMM366	36"	72"	25 lbs.
SKMM367	36"	84"	26 lbs.
SKMM368	36"	96"	27 lbs.
SKMM486	48"	72"	30 lbs.
SKMM487	48"	84"	31 lbs.
SKMM488	48"	96"	32 lbs.
SKMM606	60"	72"	35 lbs.
SKMM607	60"	84"	36 lbs.
SKMM608	60"	96"	37 lbs.

Fixed Width Skyscraper Mounts™ **SKMM**



NEW

Acrylic Shields



Non-marring clamp on base



C-clamp install

Base plate install

Fixed Position System

Custom Example – Minimum Qty of 50 – Designed to your specification!

• Each Kit Includes:

- 2 Each Mini Oval Uprights with panel mounting hardware
- Mounting options include bases that can be mounted with adhesive or fastened to counters with screws or “C” Clamps that can be attached to the edge of the counter.
- Put holes in your clear plastic to mount
- Custom sizes available



Custom Example – Minimum Qty of 50 – Designed to your specification!

NEW

Acrylic Shields



Make Single or multiple sections

Adjustable Chanel System

Custom Example – Minimum Qty of 50 – Designed to your specification!

- Extremely Flexible System
- Quick connecting cross bars allow height of panels and size of access openings to be easily adjusted.
- Sturdy construction – free standing or can be mounted to counters with adhesive, screws, or “C” Clamps
- Plastic lens rise above uprights if desired



NOTE: Does not include the acrylic shield, works with clear plastic . Up to 1/4” thick

NEW

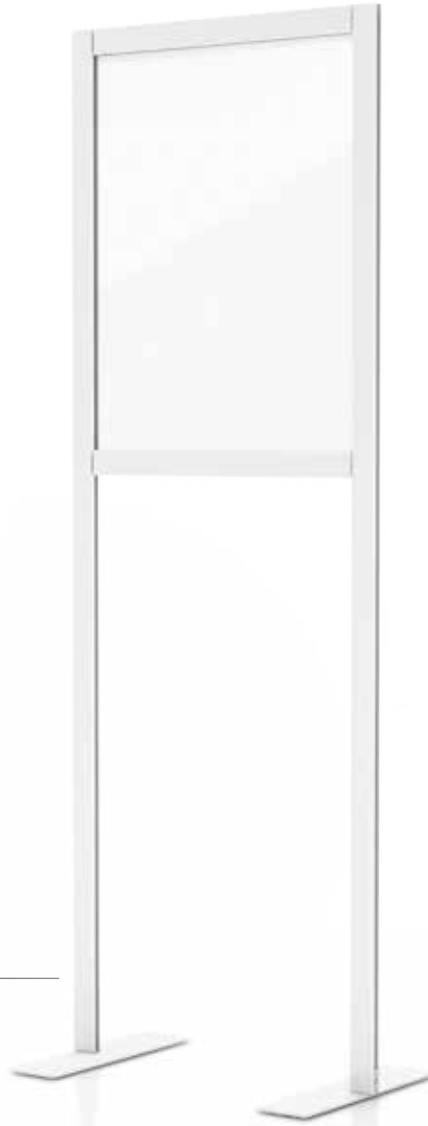
Acrylic Shields



Adjustable chanel



Free Standing Version – Height and Width customizable



Adjustable Chanel Free Standing and “L” Shape System Custom Example – Minimum Qty of 50 – Designed to your specification!

- Extremely Flexible System
- Quick connecting cross bars allow height of panels and size of access openings to be easily adjusted.
- Sturdy construction – free standing or on wheels
- Configurable into multiple sections or into “L” Shape to create additional protection for Cashiers & Customers
- Roll around Protective Shields
- Make Single or multiple sections



“L” Configuration



Roll Around Protective Cashier Shield

NOTE: Does not include the acrylic shield, works with clear plastic .060” up to 3/16” thick

NEW

Healthy Retailing Products

To hold ... Hand Sanitizer – Wipes – Gloves – Call for assistance with Custom Solutions

Standard – Available for purchase Qty 1

Automatic Hand Sanitizer Dispenser

- Sturdy steel base and aluminum upright
- Stand only – does not include sanitizer dispenser
- With or without signholder

HSDM-X-SQ

HSD8511-X-SQ

Manual Hand Sanitizer Pump Dispenser

- Use with existing pump dispensers
- Available as stand with tray or wall mount
- Hardware only – does not include dispenser

HSTW-S

HST-X-SQ-S

Hand Sanitizer Wipes Dispenser

- Durable metal construction
- Fits wipe containers up to 4-1/4" diameter
- Stand only – Does not include wipes container

HSW-W-S-S

HSW-X-SQ-S

HSW8511-X-SQ-S

Custom Examples – Minimum Qty of 50 – Designed to your specification!

Combo Stands Available

- Hand Sanitizer / Wipe Stand
- Hand Sanitizer / Gloves Stand

Hand Sanitizer Gallon Jug Stands



Sanitizer Dispenser / Sanitizer Bottle Not Included